

# Simple Weighing Indicator

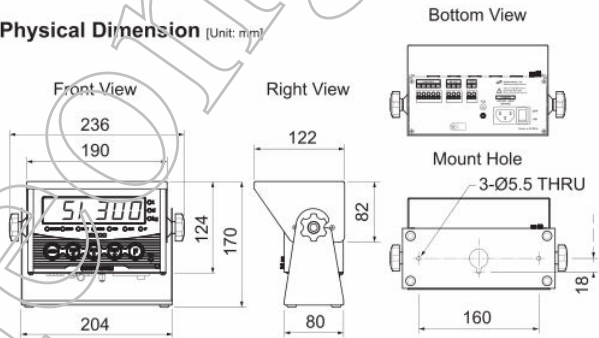
SI 300 | Simple / Wall / Desk Mounting Type



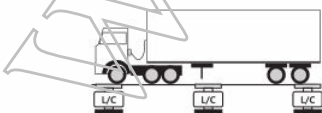
## Feature

- Industrial Scale (Truck, Animal, Platform, Tank etc.)
- Wall / Desk Mounting Type
- Peak Hold, Sample Hold, Average Hold
- Watch-Dog, Weight Back-Up
- Aluminium Case to Block Electromagnetic waves
- RTC (Real Time Clock)
- Connectable with External Display, Computer, PLC
- RS232C, Current Loop Interface

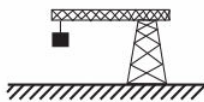
## Physical Dimension (Unit: mm)



ANALOG PART	Input Sensitivity	Min. 0.1 $\mu$ V / Digit
	Load Cell Excitation	DC +5V
	Non-Linearity	0.001% of Full Scale
	Input Signal	Max $\pm$ 3.2 mV/V
	A/D Method & Sampling	Max 60 times / sec, Sigma-Delta
DISPLAY PART	Resolution	Internal : 1/1,000,000 External: 1/20,000
	Main Display	7 Segment, 6 Digit Red FND, Letter Size : H = 25.4 mm (1 inch)
	Under Zero	Minus (-) Display
	LED Red LED Status Lamp	STEADY, ZERO, TARE, HOLD, TxD, RxD, F
GENERAL PART	Power Supply	Free Voltage (AC95 ~ 240V, 50/50 Hz)
	Operating Condition	Temperature : -10°C ~ +40°C [14°F ~ 104°F], Humidity : Under 85% RH
	Size / Weight	(W)236 x(H)170 x(D)122 mm / Gross 1.8kg
	Data Back-Up	Weight Back-Up
	HOLD Mode	Sample / Peak / Average Hold
	Communication	RS232C, Current Loop



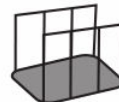
Truck Scale



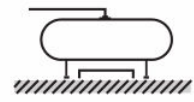
Crane Scale



Tester



Animal Scale



Tank Scale